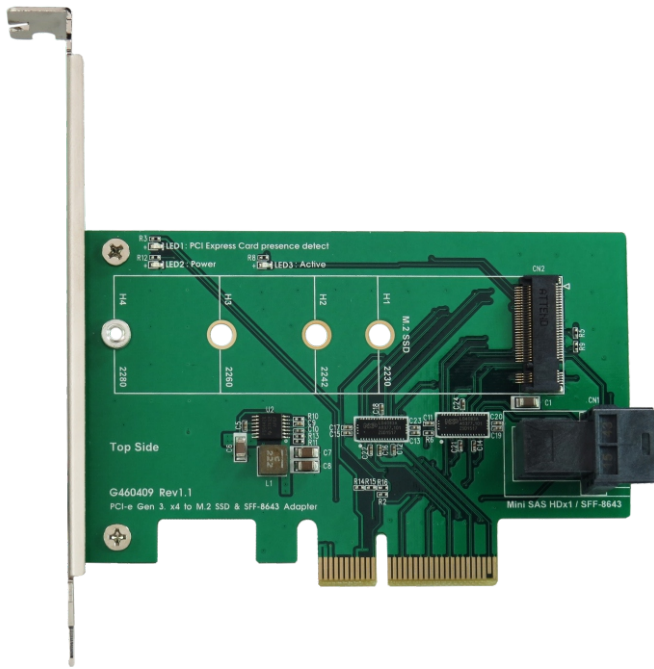


ADAPTER

PCI-e 4 Lane to M.2 SSD (PCI-e x4) & SFF-8643



Features

- M.2 (PCI-e I/F) to PCI-e convert
- SFF-8643 to PCI-e convert
- AIC Form Factor(Add-in Card) / Single slot x4 connector
- Build in M.2 (NGFF) M-key Female connector
- Build in SFF-8643 Female connector
- LED1 ON indicates PE0403 adapter Ready
- LED2 ON indicates M.2 / PCI-e 4-Lane device power OK
- LED3 ON/OFF indicates M.2 SSD active status

Compliance

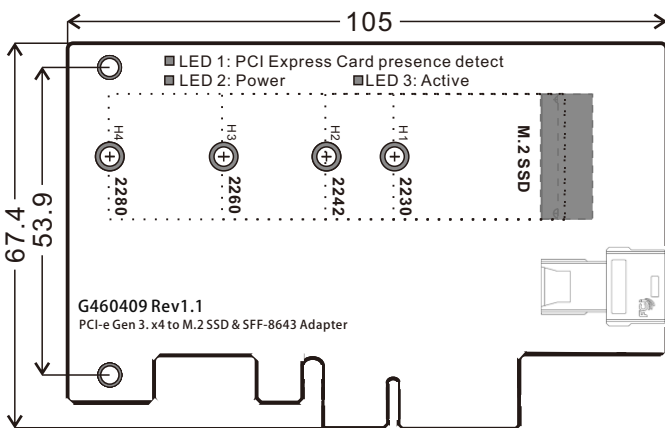
- NVM Express 1.0
- PCI Express Base Specification Rev 3.0
- Enterprise SSD Form Factor Version 1.0a
- PCI Express Card Electro-Mechanical (CEM) Specification Rev 2.0

Power

- 4A maximum output current
- Short circuit protection
- In-rush current suppression
- Thermal shutdown protection
- ESD HBM (Human Body Mode)/2KV
- ESD CDM (Charged Device Model) /500V

Support M.2 Form factor

- Type 2280-D2-B-M: 80mm(L) x 22mm(W)
- Type 2260-D2-B-M: 60mm(L) x 22mm(W)
- Type 2242-D2-B-M: 42mm(L) x 22mm(W)
- Type 2230-D2-B-M: 30mm(L) x 22mm(W)



PCI-e
4 Lane

M.2
SSD

Mini SAS
SFF-8643

